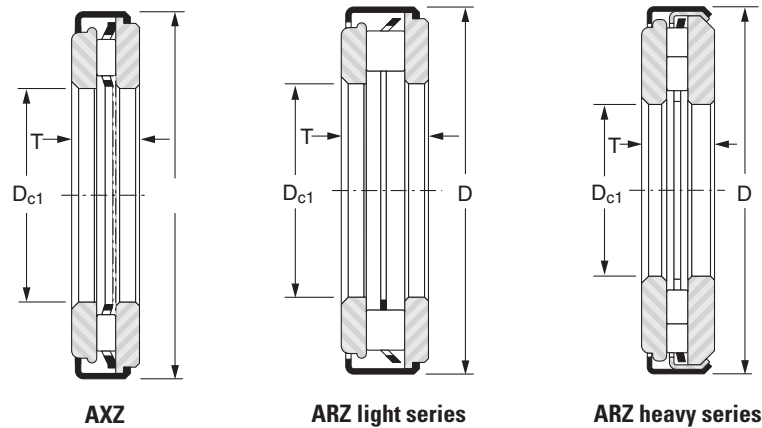
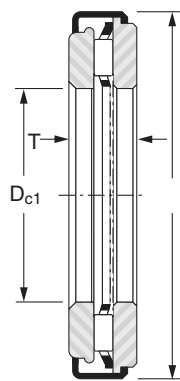


Roller and needle thrust bearings with thrust plate - AXZ and ARZ light and heavy series

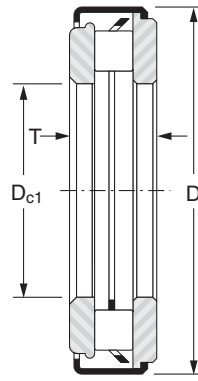


Shaft ∅ mm	Designation			d mm	D mm	T mm	Load ratings		Speed rating oil min ⁻¹	Weight kg
	AXZ	ARZ light series	ARZ heavy series				Dyn. C kN	Stat. Co kN		
5	AXZ 5.5 5 13			5	13	5.5	3.00	5.70	25000	0.004
6	AXZ 5.5 6 14			6	14	5.5	3.15	6.35	22000	0.004
7	AXZ 5.5 7 15			7	15	5.5	3.55	7.60	22000	0.005
8	AXZ 5.5 8 16			8	16	5.5	3.70	8.30	22000	0.005
9	AXZ 5.5 9 17			9	17	5.5	4.05	9.50	19000	0.005
10	AXZ 6 10 22.4			10	22.4	6	5.00	10.9	15500	0.011
		ARZ 6.5 10 22.4		10	22.4	6.5	8.20	17.9	15500	0.012
12	AXZ 6 12 26.4			12	26.4	6	6.90	17.7	13000	0.017
		ARZ 7 12 26.4		12	26.4	7	12.7	29.5	13000	0.017
15	AXZ 6 15 28.4			15	28.4	6	7.40	20.0	11500	0.016
		ARZ 7 15 28.4		15	28.4	7	14.0	34.0	11500	0.019
17	AXZ 6 17 30.4			17	30.4	6	7.80	22.0	10500	0.018
		ARZ 7 17 30.4		17	30.4	7	15.0	39.0	10500	0.022
20	AXZ 8 20 35.4			20	35.4	8	11.80	39.0	9000	0.033
		ARZ 10 20 35.4		20	35.4	10	22.0	54.0	9000	0.038
25	AXZ 8 25 43			25	43	8	13.30	49.0	7500	0.047
		ARZ 10 25 43		25	43	10	25.5	70.0	7500	0.057
			ARZ 11 25 53	25	53	11	32.5	122	6500	0.122
30	AXZ 8 30 48			30	48	8	14.50	57.0	6500	0.054
		ARZ 10 30 48		30	48	10	26.5	77.0	6500	0.065
			ARZ 14 30 61	30	61	14	46.0	162	5600	0.196
35	AXZ 8 35 54			35	54	8	18.90	84.0	5500	0.066
		ARZ 11 35 54		35	54	11	33.8	94.0	5500	0.087
			ARZ 14 35 69	35	69	14	51.0	194.0	4900	0.246

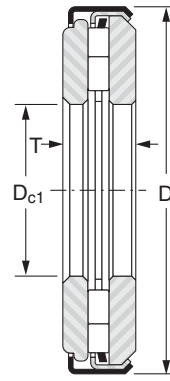
Roller and needle thrust bearings with thrust plate - AXZ and ARZ light and heavy series



AXZ



ARZ light series



ARZ heavy series

Shaft ∅ mm	Designation			d mm	D mm	T mm	Load ratings		Speed rating oil min ⁻¹	Weight kg
	AXZ	ARZ light series	ARZ heavy series				Dyn. C kN	Stat. Co kN		
40	AXZ 8 40 61			40	61	8	20.40	96.0	5000	0.084
		ARZ 12 40 61		40	61	12	46.0	129	5000	0.114
			ARZ 17 40 79	40	79	17	71.0	265	4200	0.387
45	AXZ 8 45 66			45	66	8	21.80	109	4500	0.092
		ARZ 12 45 66		45	66	12	49.0	143	4500	0.126
			ARZ 22 45 86	45	86	22	92.0	340	3800	0.595
50	AXZ 8 50 71			50	71	8	22.50	118	4000	0.100
		ARZ 12 50 71		50	71	12	51.0	157	4000	0.137
			ARZ 22 50 96	50	96	22	108.0	430	3400	0.756
55			ARZ 22 55 106	55	106	22	125.0	530	3100	0.917
60	AXZ 10 60 86			60	86	10	31.50	193	3500	0.194
		ARZ 14 60 86		60	86	14	71.0	255	3500	0.246
			ARZ 22 60 111	60	111	22	130.0	580	2900	0.977
65			ARZ 22 65 116	65	116	22	135.0	620	2800	1.040
70	AXZ 10 70 96			70	96	10	34.50	223	3000	0.220
		ARZ 14 70 96		70	96	14	77.0	295	3000	0.279
80	AXZ 10 80 106			80	106	10	36.50	253	2700	0.256
		ARZ 14 80 106		80	106	14	82.0	330	2700	0.312